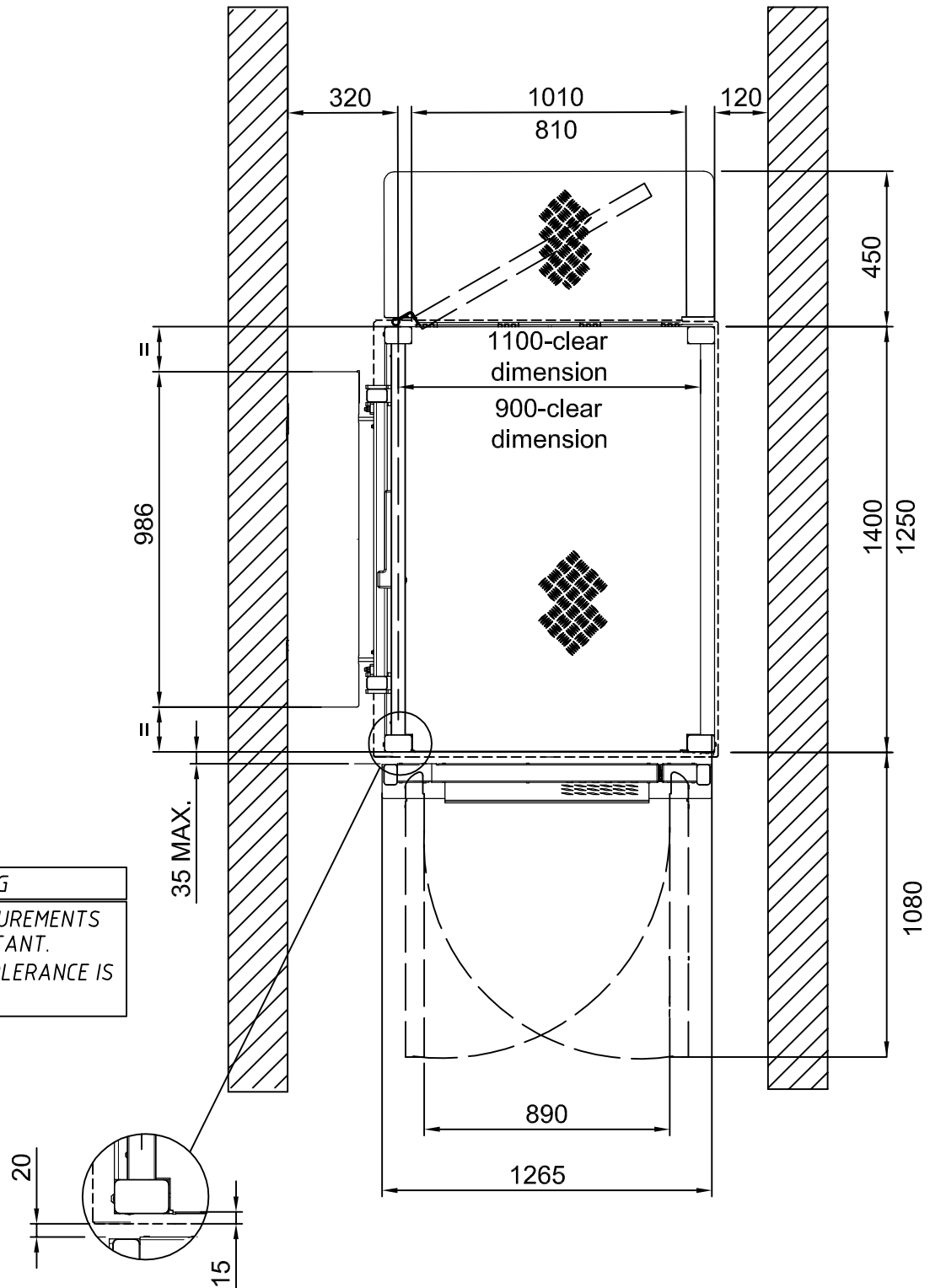


RH VERSION



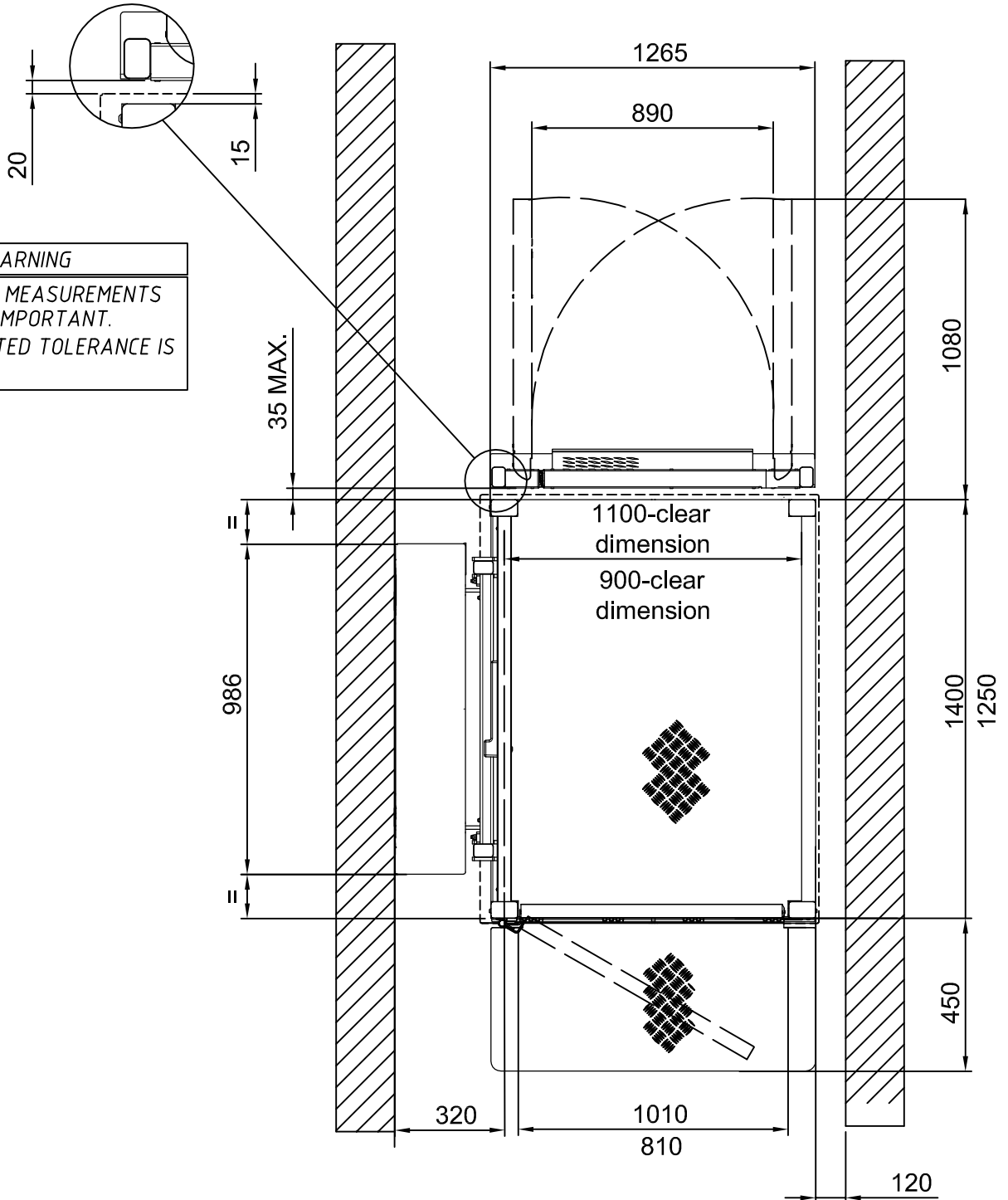
WARNING
THE SHAFT MEASUREMENTS
ARE VERY IMPORTANT.
THE ADMITTED TOLERANCE IS
5 mm ONLY

| | | |
|----------|---------|------|
| DATA | CODICE | REV. |
| 19/01/16 | 8623600 | E |

TECHNICAL FEATURES

| | | | | |
|------------|----------|-----------------|-------------------|--------------|
| Rated Load | Power | Voltage | Auxiliary voltage | Speed |
| 400 [daN] | 2,2 [kW] | 230 AC [V-mon.] | 24 [V-DC] | [2.4 m/min.] |

LH VERSION



WARNING
THE SHAFT MEASUREMENTS
ARE VERY IMPORTANT.
THE ADMITTED TOLERANCE IS
5 mm ONLY

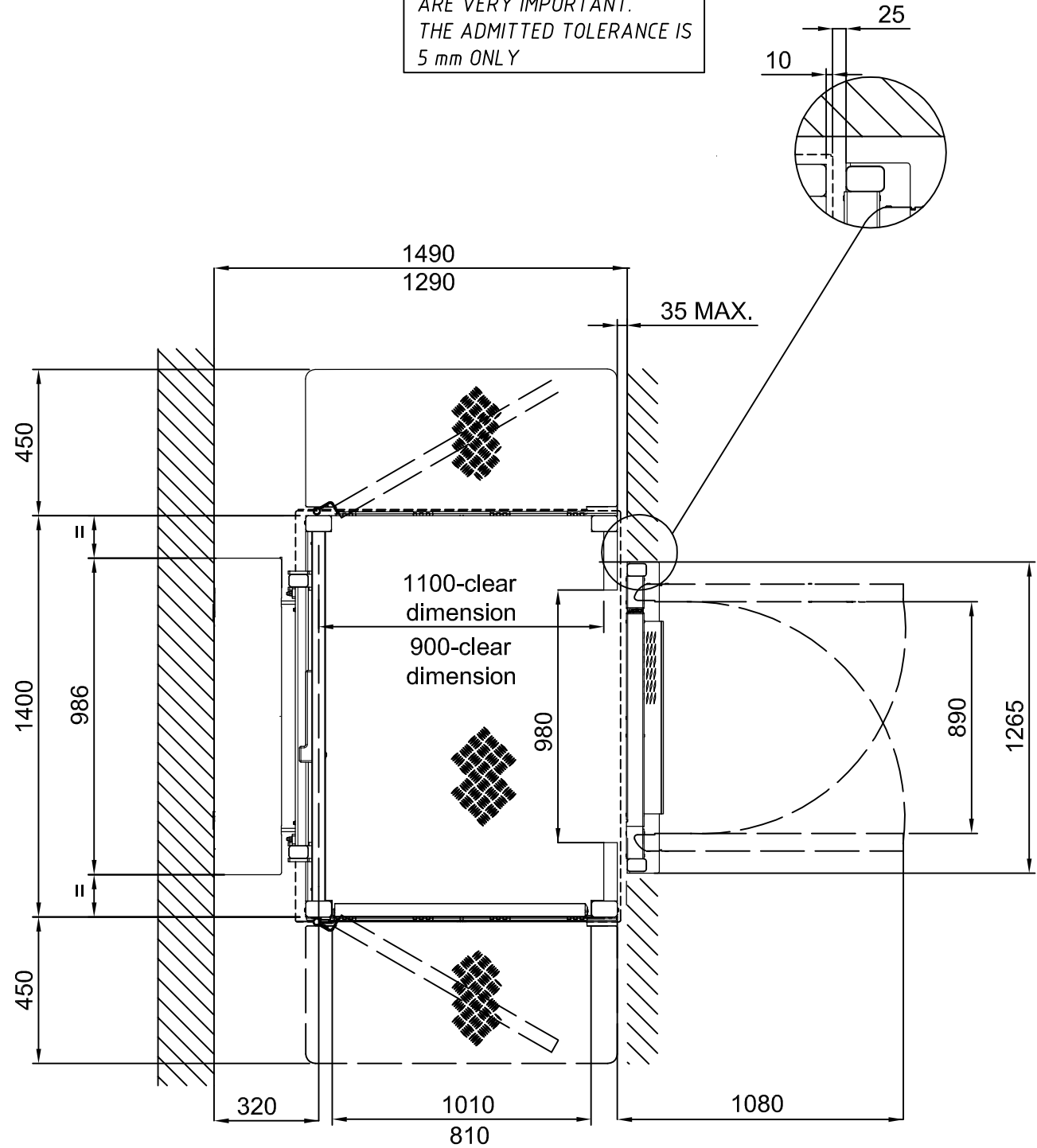
| | | |
|----------|---------|------|
| DATA | CODICE | REV. |
| 19/01/16 | 8623600 | E |

TECHNICAL FEATURES

| | | | | |
|------------|----------|-----------------|-------------------|--------------|
| Rated Load | Power | Voltage | Auxiliary voltage | Speed |
| 400 [daN] | 2,2 [kW] | 230 AC [V-mon.] | 24 [V-DC] | [2.4 m/min.] |

RH - LH 90° EXIT

| |
|---|
| WARNING |
| THE SHAFT MEASUREMENTS ARE VERY IMPORTANT. THE ADMITTED TOLERANCE IS 5 mm ONLY |



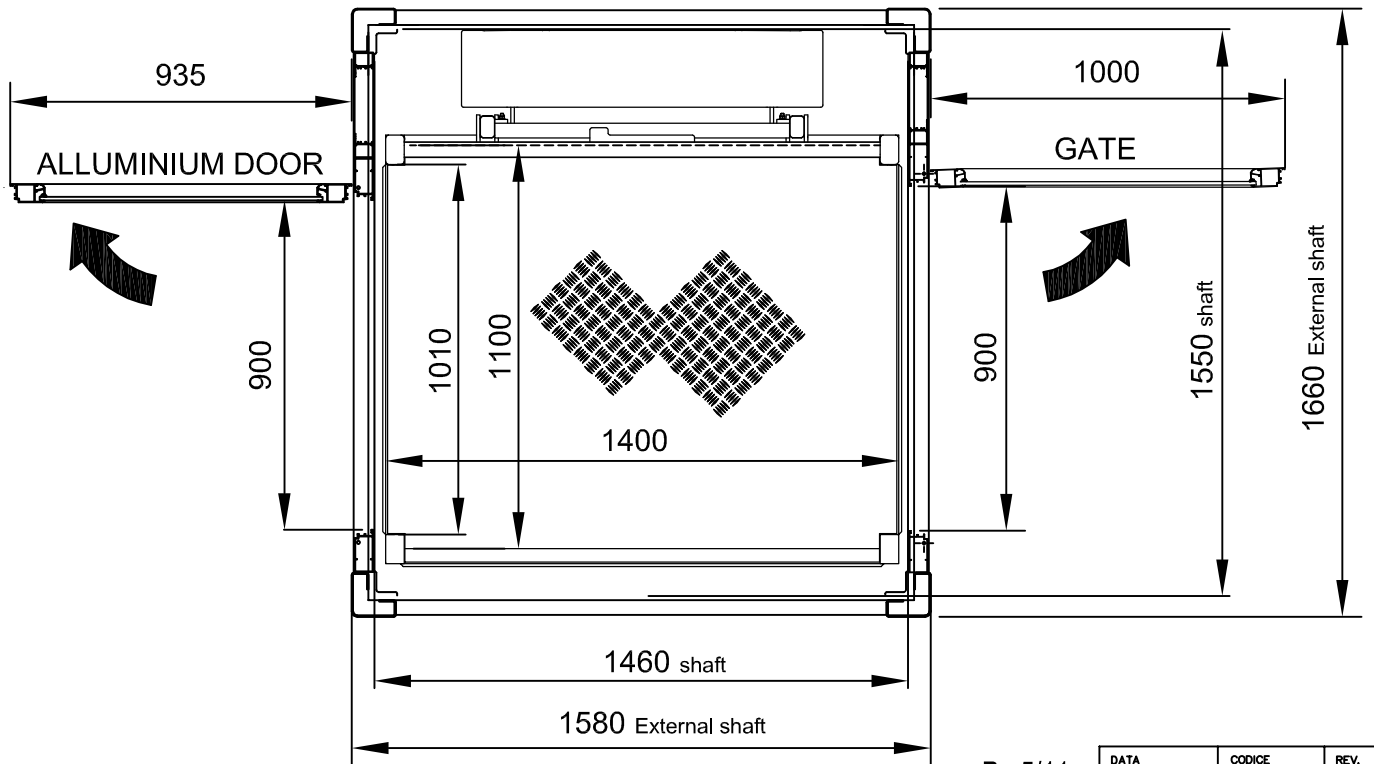
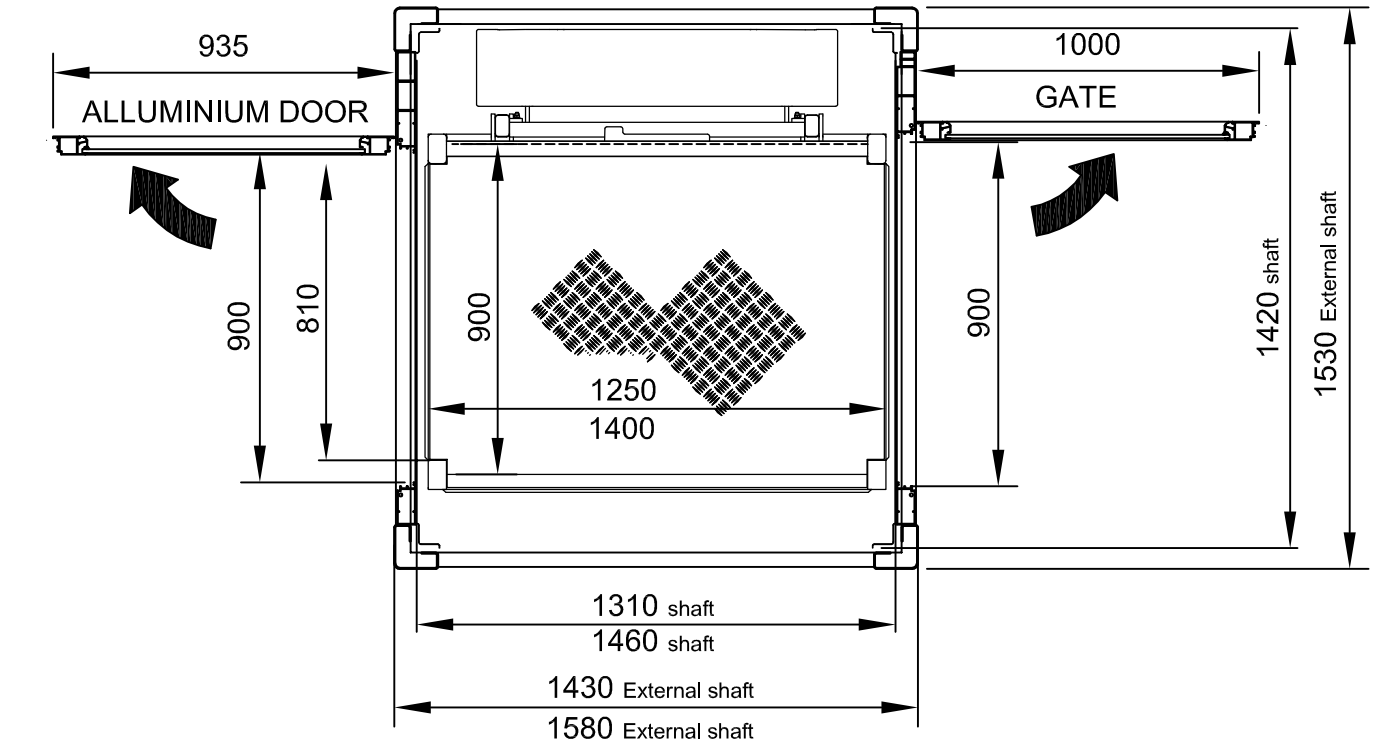
Pg 4/11

| | | |
|----------|---------|------|
| DATA | CODICE | REV. |
| 19/01/16 | 8623600 | E |

TECHNICAL FEATURES

| | | | | |
|------------|----------|-----------------|-------------------|--------------|
| Rated Load | Power | Voltage | Auxiliary voltage | Speed |
| 400 [daN] | 2,2 [kW] | 230 AC [V-mon.] | 24 [V-DC] | [2.4 m/min.] |

SHAFT
DX - SX



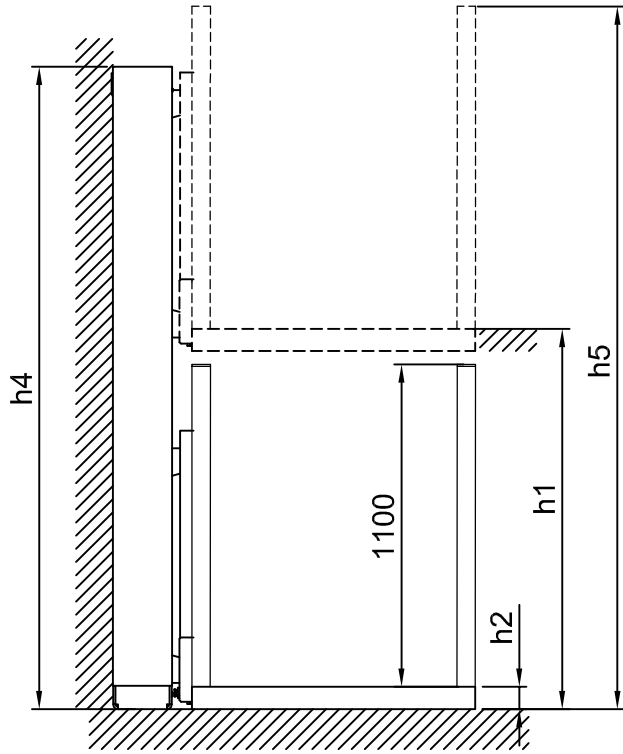
Pg 5/11

| | | |
|----------|---------|------|
| DATA | CODICE | REV. |
| 19/01/16 | 8623600 | E |

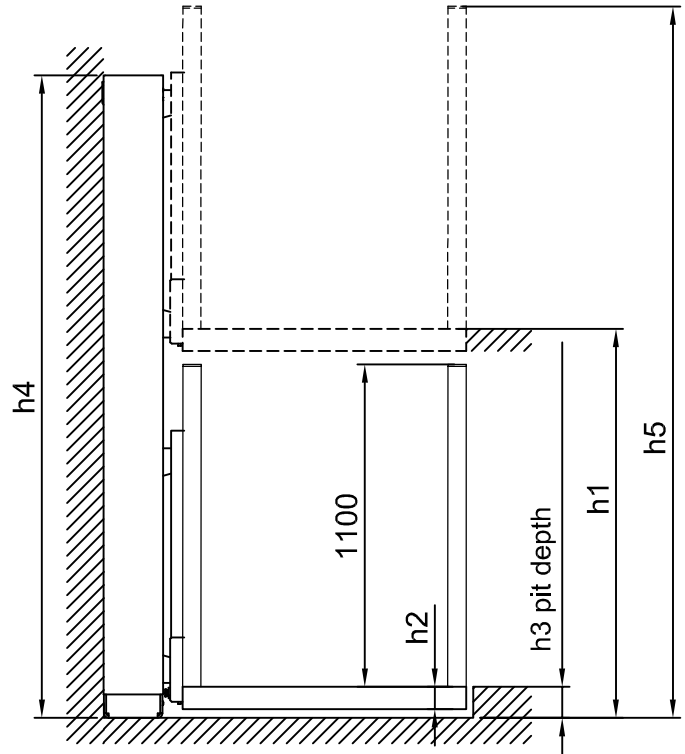
TECHNICAL FEATURES

| | | | | |
|------------|----------|-----------------|-------------------|--------------|
| Rated Load | Power | Voltage | Auxiliary voltage | Speed |
| 400 [daN] | 2,2 [kW] | 230 AC [V-mon.] | 24 [V-DC] | [2.4 m/min.] |

WITHOUT PIT



WITH PIT



| | | | | | |
|----|------|------|------|------|------|
| h1 | 1100 | 1600 | 2100 | 2600 | 2990 |
| h2 | 65 | 65 | 65 | 65 | 65 |
| h3 | 80 | 80 | 80 | 80 | 80 |
| h4 | 2320 | 2820 | 3320 | 3820 | 4320 |
| h5 | 2260 | 2760 | 3260 | 3760 | 4260 |

Pg 6/11

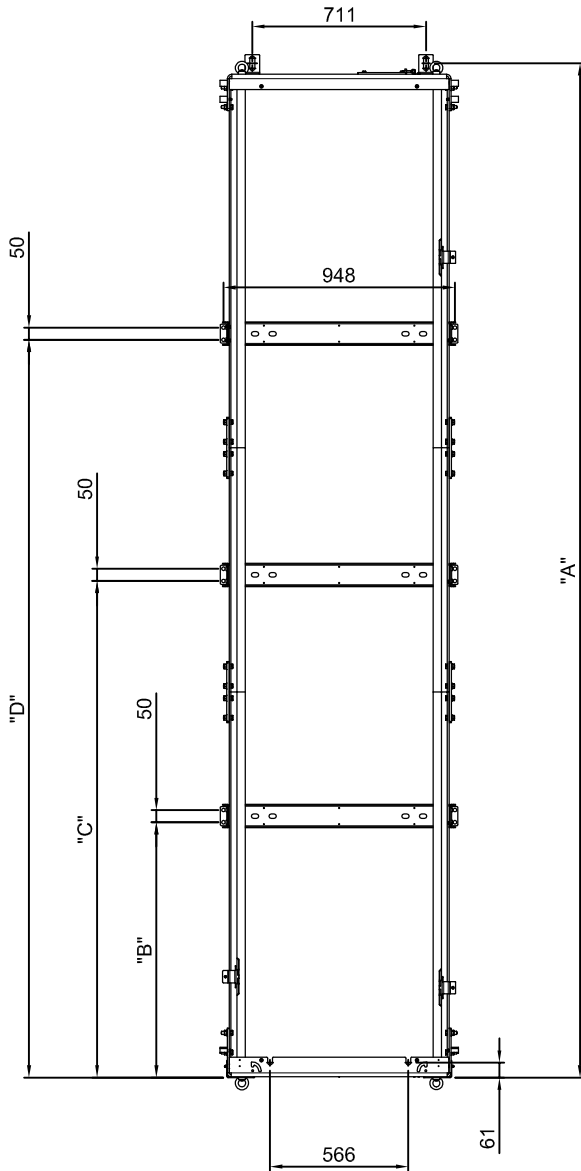
| | | |
|----------|---------|------|
| DATA | CODICE | REV. |
| 19/01/16 | 8623600 | E |

TECHNICAL FEATURES

| | | | | |
|------------|----------|-----------------|-------------------|--------------|
| Rated Load | Power | Voltage | Auxiliary voltage | Speed |
| 400 [daN] | 2,2 [kW] | 230 AC [V-mon.] | 24 [V-DC] | [2.4 m/min.] |

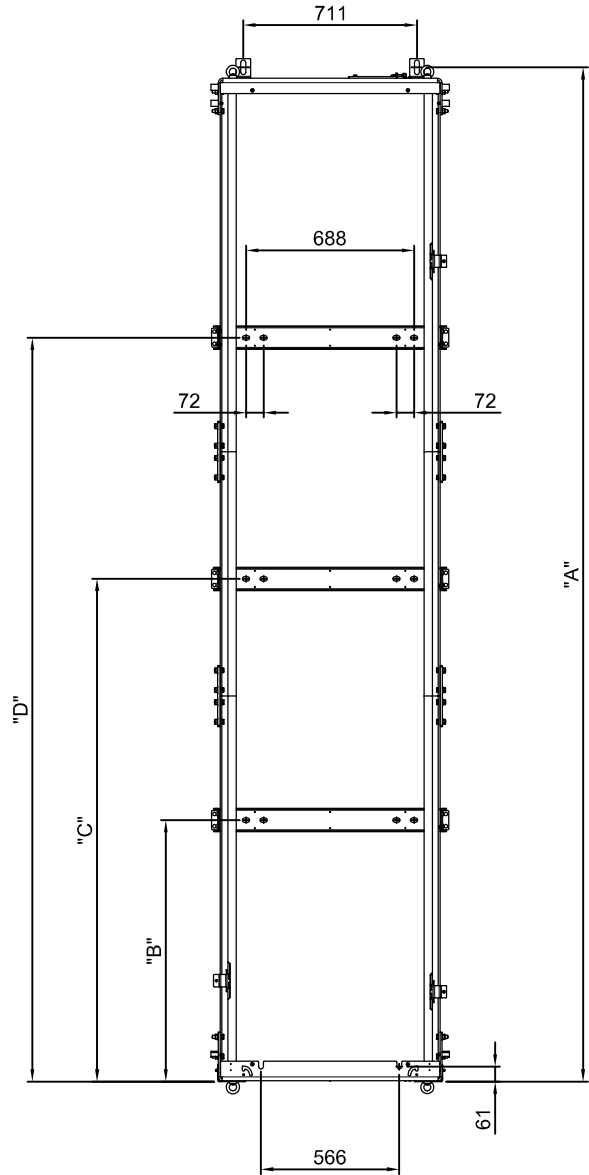
+ DISTANCE BETWEEN CONNECTION

MASONRY SHAFT



| H | "A" | "B" | "C" | "D" |
|------|------|------|------|------|
| 1100 | 2155 | 865 | 1235 | / |
| 1600 | 2655 | 865 | 1705 | / |
| 2100 | 3155 | 1035 | 2010 | / |
| 2600 | 3655 | 865 | 1705 | 2510 |
| 2990 | 4155 | 1045 | 2035 | 3020 |

SHAFT



| H | "A" | "B" | "C" | "D" |
|------|------|------|------|------|
| 1100 | 2165 | 900 | 1270 | / |
| 1600 | 2665 | 900 | 1740 | / |
| 2100 | 3165 | 1070 | 2045 | / |
| 2600 | 3665 | 900 | 1740 | 2545 |
| 2990 | 4165 | 1080 | 2070 | 3055 |

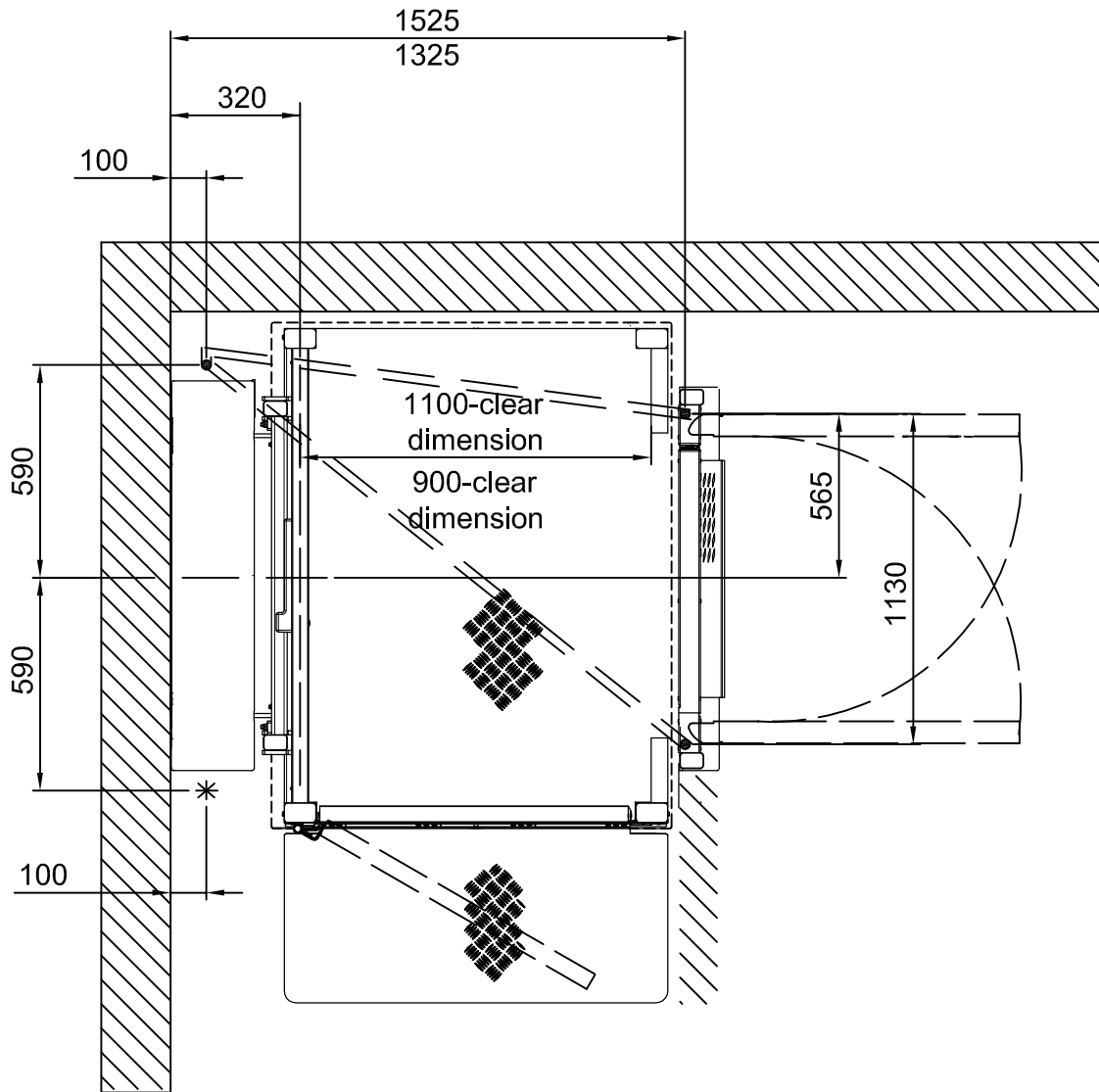
Pg 7/11

| DATA | CODICE | REV. |
|----------|---------|------|
| 19/01/16 | 8623600 | E |

TECHNICAL FEATURES

| Rated Load | Power | Voltage | Auxiliary voltage | Speed |
|------------|----------|-----------------|-------------------|--------------|
| 400 [daN] | 2,2 [kW] | 230 AC [V-mon.] | 24 [V-DC] | [2.4 m/min.] |

DIAGRAM FOR DRILLING HOLES FOR
CORRUGATED CABLE HOSES
LH - 90° EXIT



* power cable

● drilling holes for corrugated cable hoses $\varnothing 40$

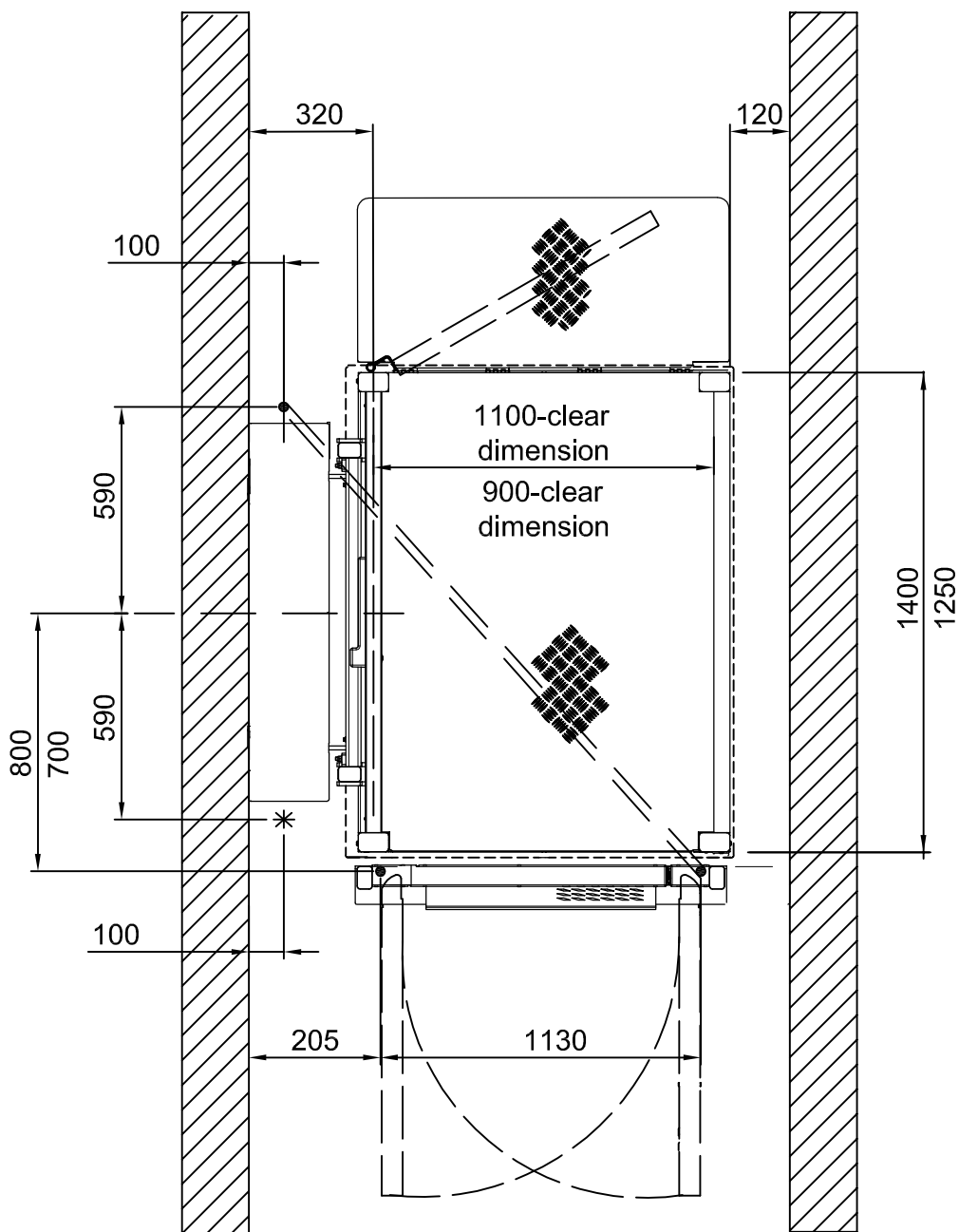
Pg 8/11

| | | |
|----------|---------|------|
| DATA | CODICE | REV. |
| 19/01/16 | 8623600 | E |

TECHNICAL FEATURES

| | | | | |
|------------|----------|-----------------|-------------------|--------------|
| Rated Load | Power | Voltage | Auxiliary voltage | Speed |
| 400 [daN] | 2,2 [kW] | 230 AC [V-mon.] | 24 [V-DC] | [2.4 m/min.] |

DIAGRAM FOR DRILLING HOLES FOR
CORRUGATED CABLE HOSES
RH VERSION



* power cable

● drilling holes for corrugated cable hoses $\varnothing 40$

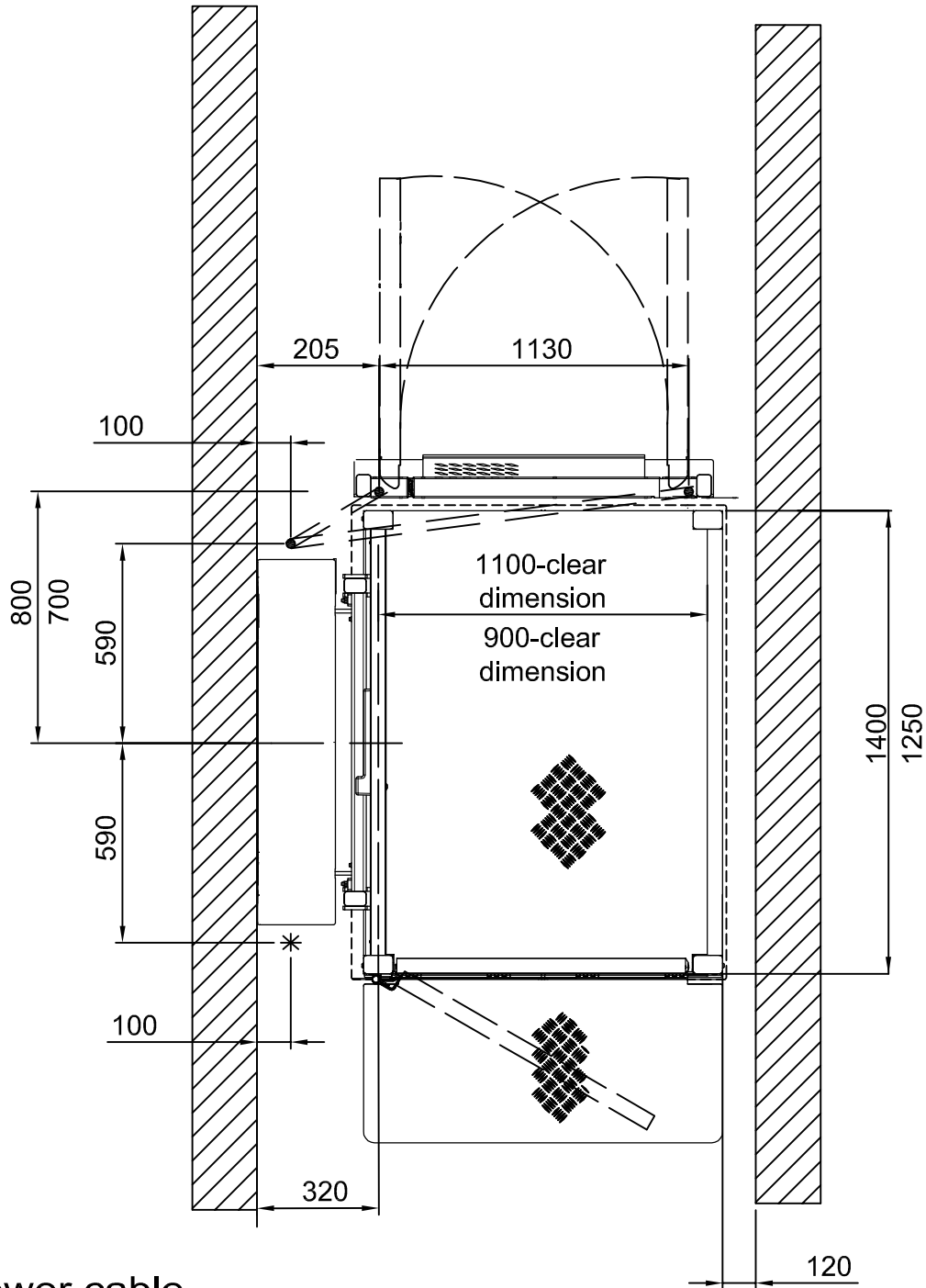
Pg 9/11

| | | |
|----------|---------|------|
| DATA | CODICE | REV. |
| 19/01/16 | 8623600 | E |

TECHNICAL FEATURES

| | | | | |
|------------|----------|-----------------|-------------------|--------------|
| Rated Load | Power | Voltage | Auxiliary voltage | Speed |
| 400 [daN] | 2,2 [kW] | 230 AC [V-mon.] | 24 [V-DC] | [2.4 m/min.] |

DIAGRAM FOR DRILLING HOLES FOR
CORRUGATED CABLE HOSES
LH VERSION



* power cable

● drilling holes for corrugated cable hoses $\varnothing 40$

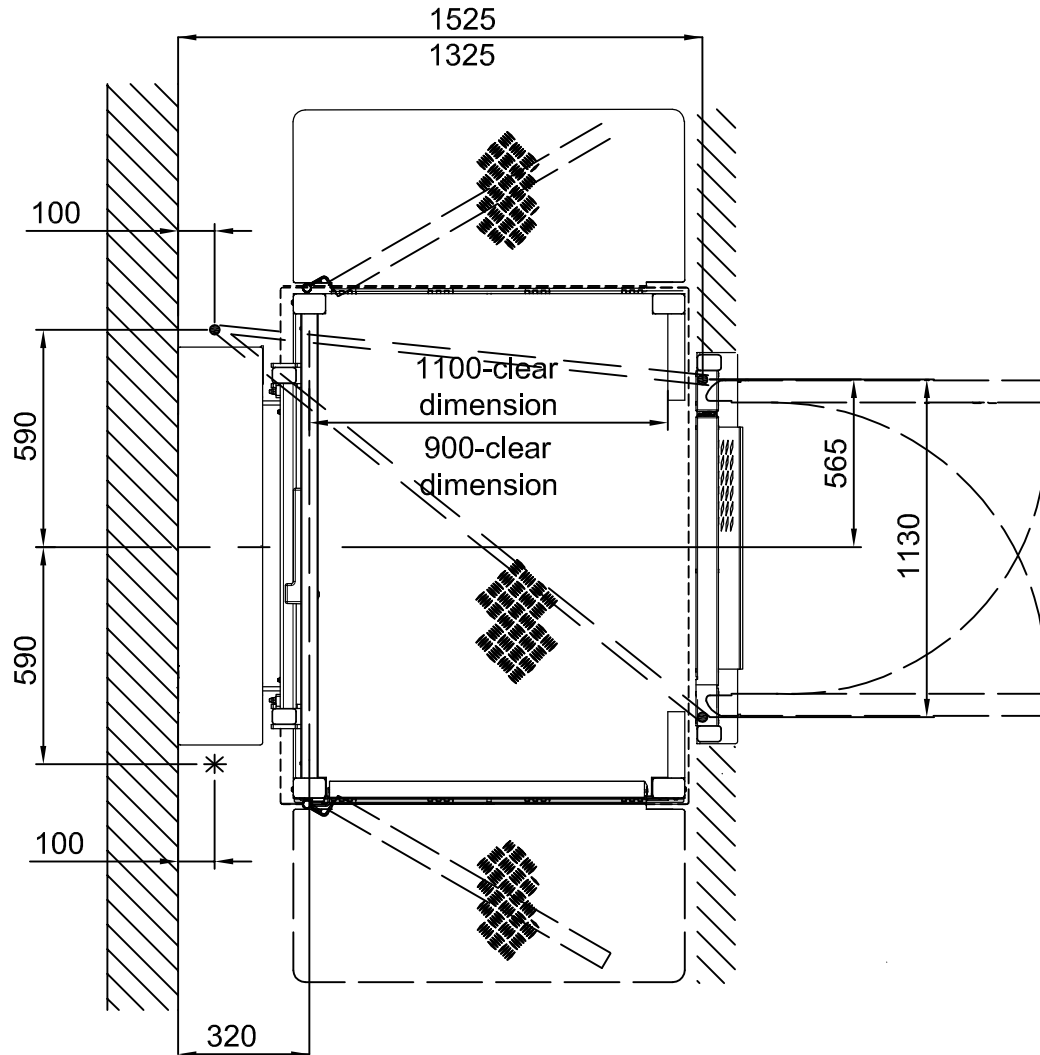
Pg 10/11

| | | |
|----------|---------|------|
| DATA | CODICE | REV. |
| 19/01/16 | 8623600 | E |

TECHNICAL FEATURES

| | | | | |
|------------|----------|-----------------|-------------------|--------------|
| Rated Load | Power | Voltage | Auxiliary voltage | Speed |
| 400 [daN] | 2,2 [kW] | 230 AC [V-mon.] | 24 [V-DC] | [2.4 m/min.] |

DIAGRAM FOR DRILLING HOLES FOR
CORRUGATED CABLE HOSES
RH - LH 90° EXIT



* power cable

● drilling holes for corrugated cable hoses Ø40 Pg 11/11

| | | |
|----------|---------|------|
| DATA | CODICE | REV. |
| 19/01/16 | 8623600 | E |

TECHNICAL FEATURES

| | | | | |
|------------|----------|-----------------|-------------------|--------------|
| Rated Load | Power | Voltage | Auxiliary voltage | Speed |
| 400 [daN] | 2,2 [kW] | 230 AC [V-mon.] | 24 [V-DC] | [2.4 m/min.] |