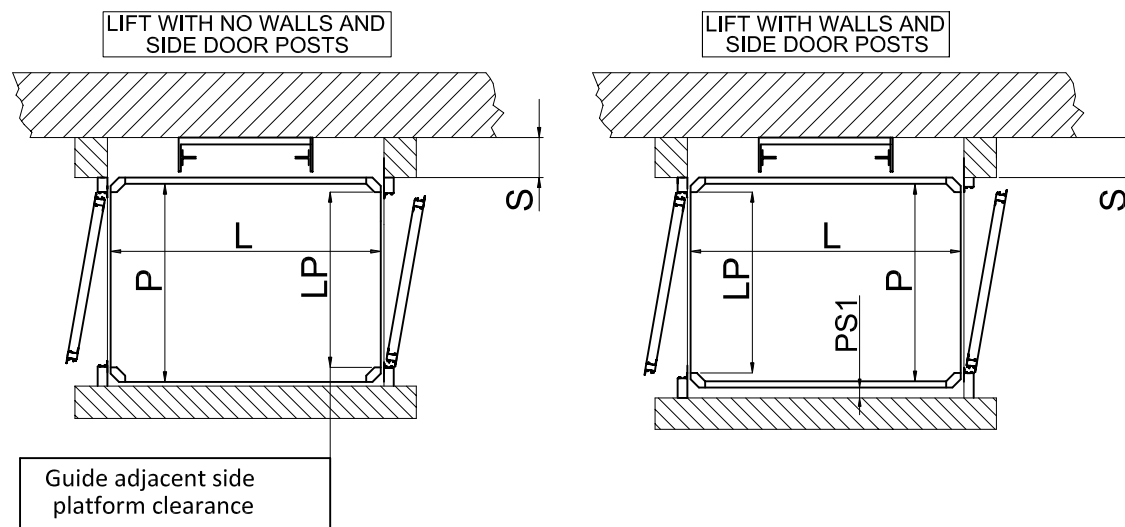
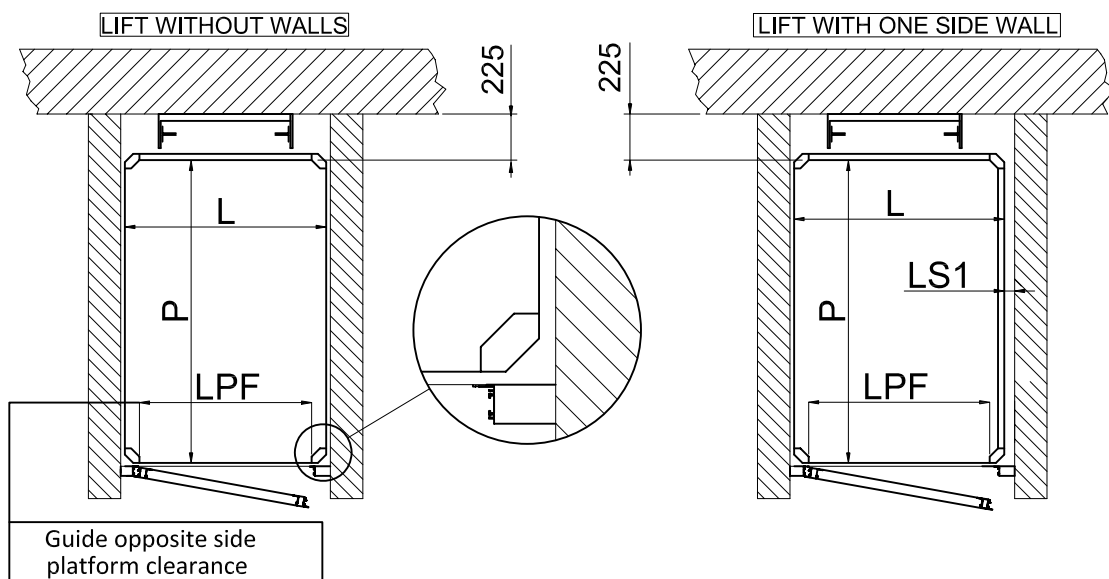


**Mod. E07 "Easy Living/Easy Move"**  
**HYDRAULIC LIFT WITHOUT CABIN DOOR**

LIFT TOP VIEW  
(MASONRY SHAFT)



DATA	CODICE	REV.
29/04/09	8623200	f

**STANDARD PLATFORM DIMENSIONS**

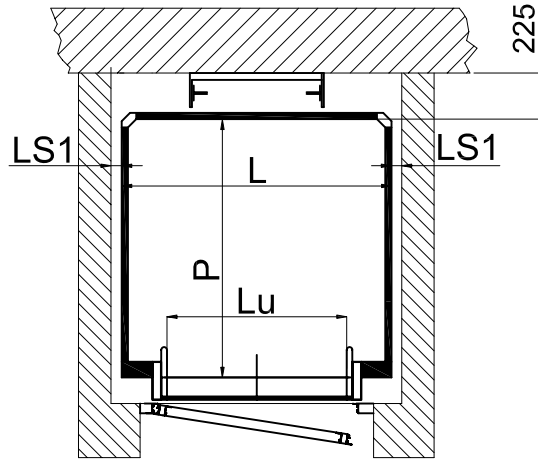
	L (Width)	P (depth)		L (Width)	P (depth)
Spec.	770	950		1250	850
	850	900		1250	1000
	850	1250		1250	1250
	900	850		1400	1000
	950	770		1400	1100
	1000	1250		1400	1200
	1000	1400			
	1100	1400			
LP	P-110(ON-BOARD CONTROL PANEL EXCLUDED)		S = 150 (ALUMINIUM DOOR)		
LPF	L-140(ON-BOARD CONTROL PANEL EXCLUDED)		S = 140 (VENEERED DOOR WITH CONTROL PANEL ON GUIDE SIDE)		
PS1=LS1	60		S = 170 (VENEERED DOOR WITH HINGES ON SIDE GUIDE)		

The data are indicative and not binding. The company reserves the right to make any changes that it may consider appropriate.

**Mod. E07 "Easy Living/Easy Move"**  
**HYDRAULIC LIFT WITH CABIN DOOR**

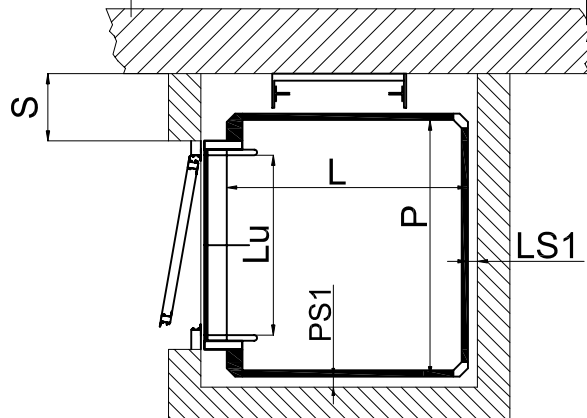
LIFT TOP VIEW  
(MASONRY SHAFT)

FRONT ENTRY- CABIN DOOR IN CENTRAL POSITION ON THE PLATFORM LENGTH L



		L		
		780 - 879	880 - 929	930-1400
Lu	650	X	X	X
	750	-	X	X
	800	-	-	X

SIDE ENTRY- CABIN DOOR IN CENTRAL POSITION ON THE PLATFORM WIDTH P



		P		
		770 - 849	850 - 899	900-1250
Lu	650	X	X	X
	750	-	X	X
	800	-	-	X

**Attention: usable platform  $\leq 1,28 \text{ m}^2$**

Pg 2/6

DATA	CODICE	REV.
29/04/09	8623200	f

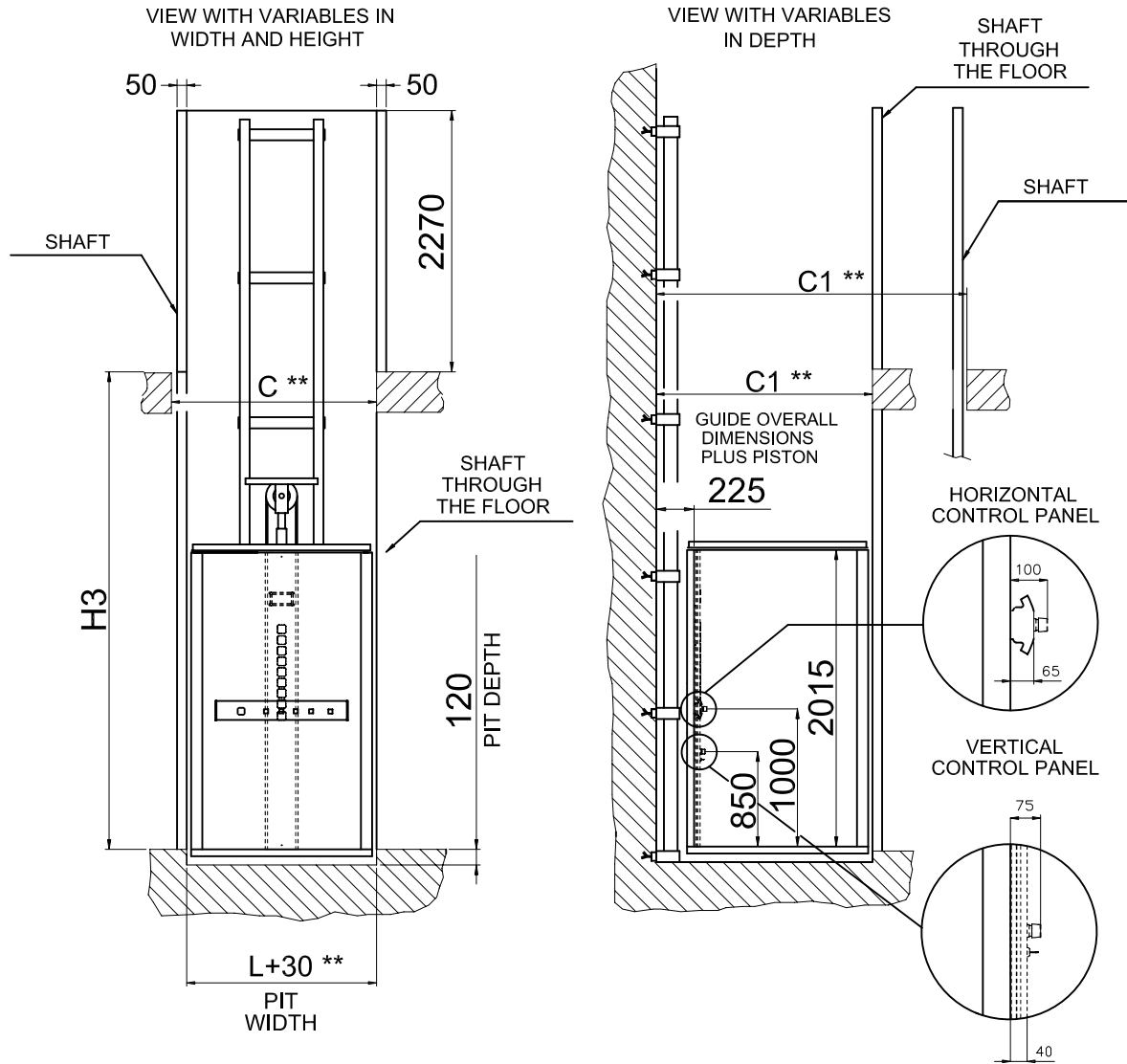
**STANDARD PLATFORM DIMENSIONS see page 1/6**

PS1=LS1

60

S = Смотри на странице 1/6

**LIFT FRONT AND SIDE VIEW  
(WITH GUARDS)**



\*\* ADD 45 mm FOR EACH SIDE WITH ADDITIONAL CABIN WALL

H3 ≤ 13m

DATA	CODICE	REV.
29/04/09	8623200	f

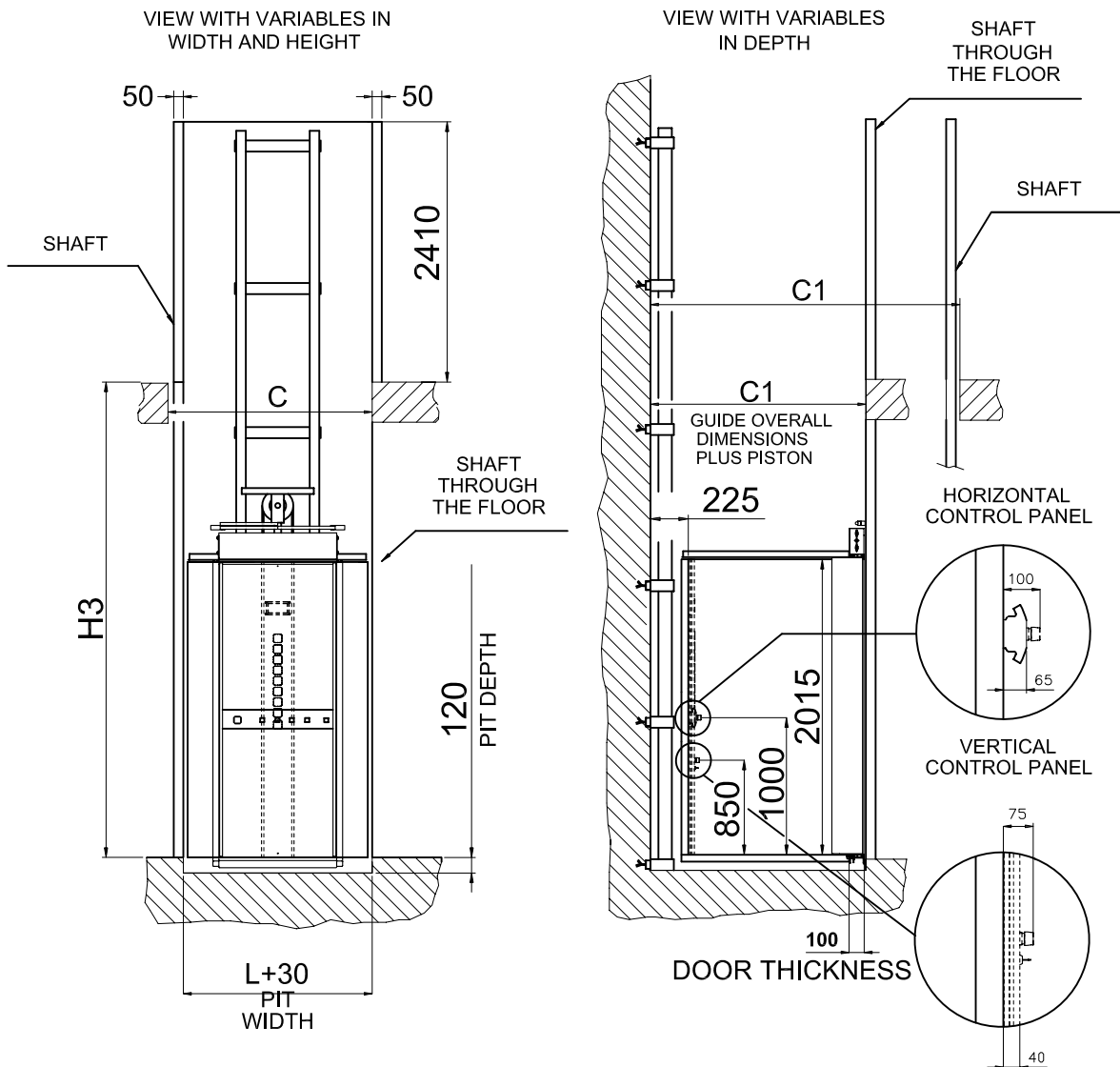
**STANDARD DIMENSIONS**

C Shaft width	WITH SHAFTS THROUGH THE FLOOR OR MASONRY SHAFT **	L+30
	WITH ONE SHAFT	L+90
	WITH TWO SHAFTS	L+150
C1 Shaft depth	WITH SHAFTS THROUGH THE FLOOR OR MASONRY SHAFT **	P+240
	WITH SHAFTS	P+300

**TECHNICAL CHARACTERISTICS**

Working load	Power	Mains voltage	Motor power supply voltage	Auxiliary power supply voltage	Speed
400 [daN]	1.8 [kW]	230 [V-mon.]	230 [V]	24 [V-cc]	0,15 [m/sec]

LIFT FRONT AND SIDE VIEW  
(WITH GUARDS)



WALLS ARE ALWAYS SUPPLIED IN CASA OF CABIN WITH DOOR

Pg 4/6

$H3 \leq 13m$

DATA	CODICE	REV.
29/04/09	8623200	f

STANDARD DIMENSIONS WITH CABIN DOOR

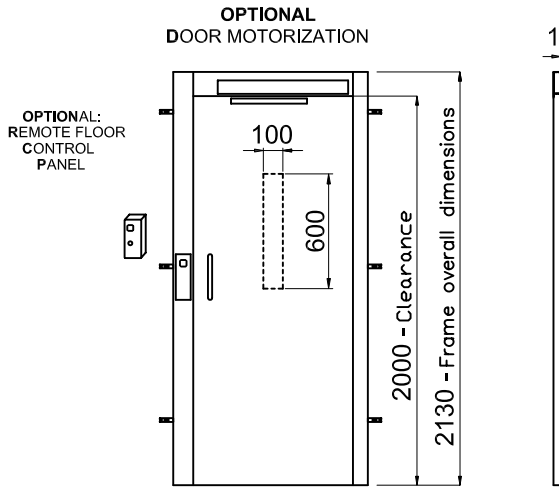
C Shaft width	WITH SHAFTS THROUGH THE FLOOR OR MASONRY SHAFT **	L+120
	WITH ONE SHAFT	L+180
C1 Shaft depth	WITH TWO SHAFTS	L+240
	WITH SHAFTS THROUGH THE FLOOR OR MASONRY SHAFT **	P+340
	WITH SHAFTS	P+400

TECHNICAL CHARACTERISTICS

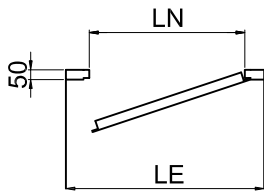
Working load	Power	Mains voltage	Motor power supply voltage	Auxiliary power supply voltage	Speed
320 [daN]	1.8 [kW]	230 [V-mon.]	230 [V]	24 [V-cc]	0,15 [m/sec]

The data are indicative and not binding. The company reserves the right to make any changes that it may consider appropriate.

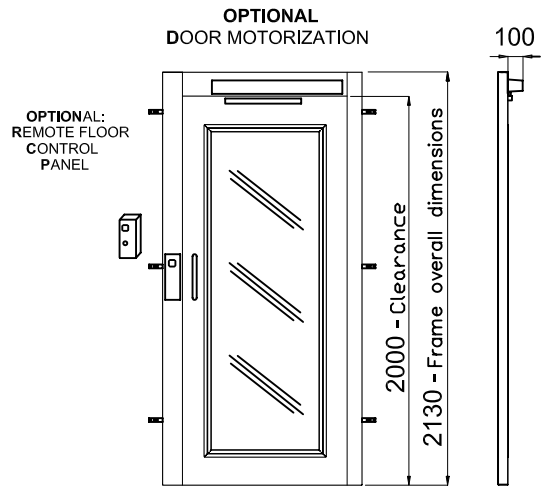
### DOOR TYPES



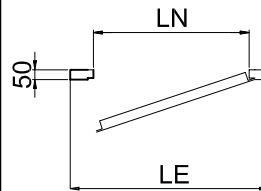
HOLLOW VENEERED DOOR



LN	LE
600	830
650	880
700	930
750	980
800	1030
860	1090
900	1130
950	1180
1000	1230

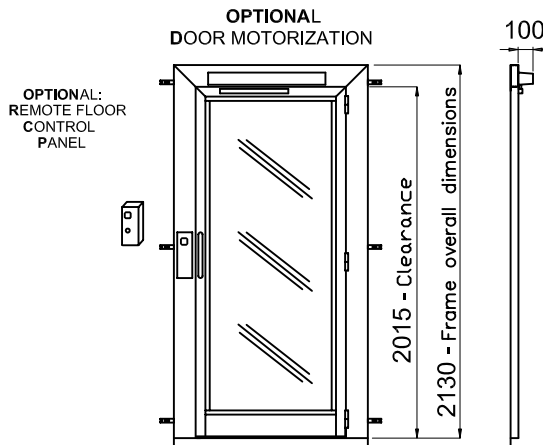


PANORAMIC HOLLOW VENEERED DOOR



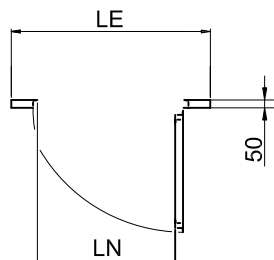
LN	LE
800	1030
860	1090
900	1130

LN = CLEARANCE

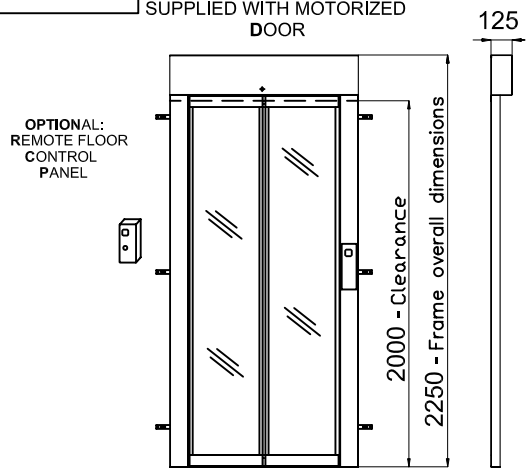


PANORAMIC ALUMINIUM DOOR

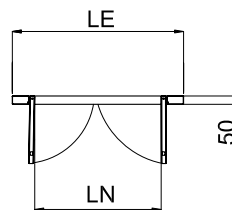
LN	LE
600	830
650	880
700	930
750	980
800	1030
860	1090
900	1130
950	1180
1000	1230



SUPPLIED WITH MOTORIZED DOOR



PANORAMIC DOUBLE HINGED DOOR



	LN	LE
Spec.	750	1030
	800	1080
	860	1130
	900	1180
Spec.	950	1230

**CONTROL BOX DIMENSION**

